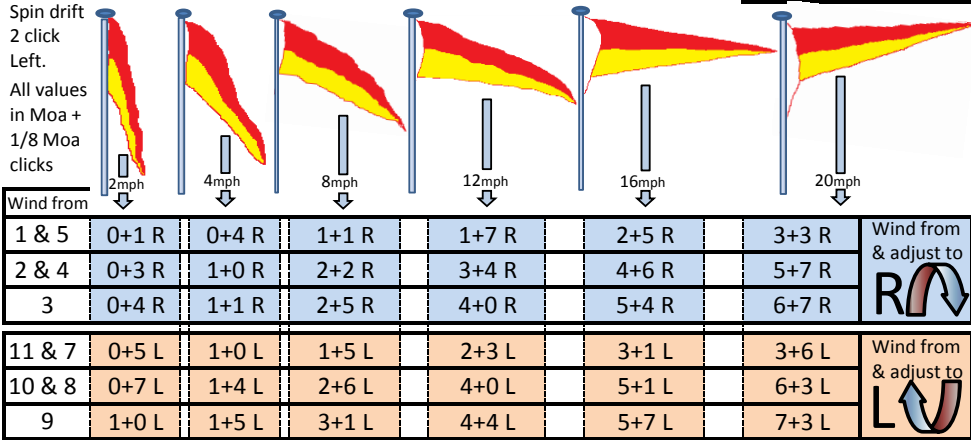
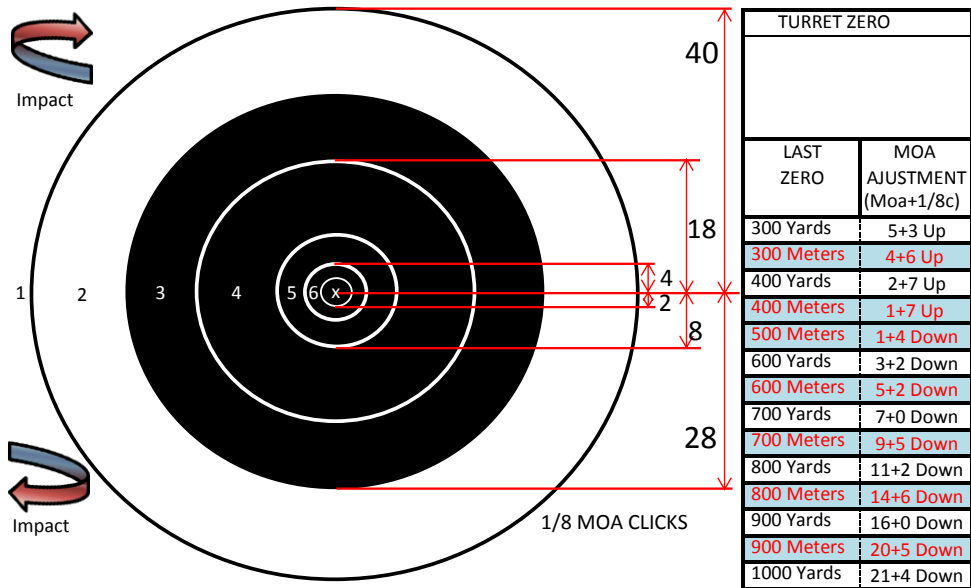


500 YARD ICFRA CARD 224 80grn A-max 2960fps



0.224 cal, 80 grain, Hornady A-Max, G1 BC 0.453, Muzzle velocity 2960 Fps, 1 in 8" Rh twist barrel,
 Station Pressure 1000 Hpa, 75% Humidity, 30 Degrees Celcius.

Notes for using the above Windage Table.

The above windage table & flag diagrams are based on the wind being constant in both strength & direction for the full flight path of the projectile from muzzle to target, As this will hardly ever be the case an estimated average of several flags down the range will have to be made & this is the value to be used from the table.

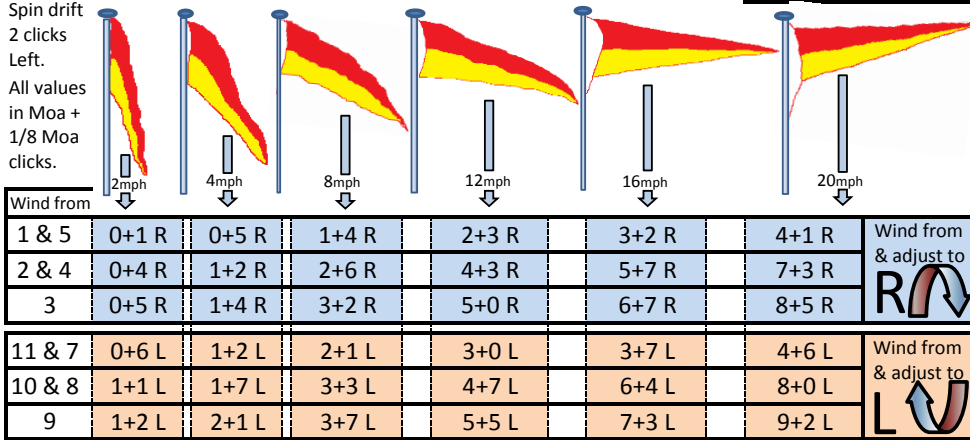
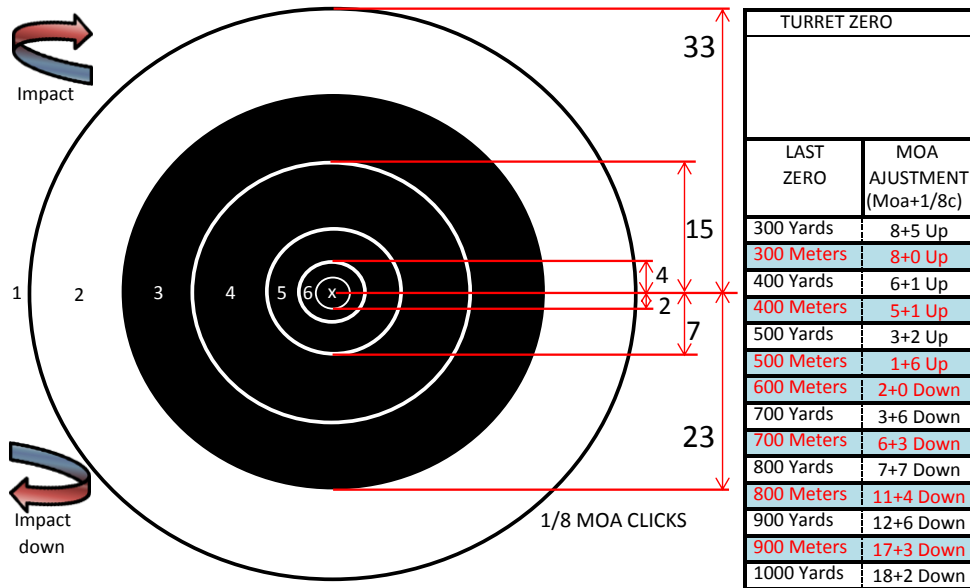
Spin Drift.

The above windage values also include a spin drift value for right hand twist barrels, If you are lucky enough to ever shoot on a wind free day you can include the separate spin drift windage value. Left hand twist barrels will have to reverse the spin drift value from left to right & swap adjustment values in the windage table from left to right.

Coriolis/Eotvos effect.

Due to the location & direction data required to calculate Coriolis, The relatively small values under 1000 yards (Less than 1/2 Moa) & the use of sighting shots no adjustment for Coriolis has been included in the above values.

600 YARD ICFRA CARD 224 80grn A-max 2960fps



0.224 cal, 80 grain, Hornady A-Max, G1 BC 0.453, Muzzle velocity 2960 Fps, 1 in 8" Rh twist barrel,
 Station Pressure 1000 Hpa, 75% Humidity, 30 Degrees Celcius.

Notes for using the above Windage Table.

The above windage table & flag diagrams are based on the wind being constant in both strength & direction for the full flight path of the projectile from muzzle to target, As this will hardly ever be the case an estimated average of several flags down the range will have to be made & this is the value to be used from the table.

Spin Drift.

The above windage values also include a spin drift value for right hand twist barrels, If you are lucky enough to ever shoot on a wind free day you can include the separate spin drift windage value. Left hand twist barrels will have to reverse the spin drift value from left to right & swap adjustment values in the windage table from left to right.

Coriolis/Eotvos effect.

Due to the location & direction data required to calculate Coriolis, The relatively small values under 1000 yards (Less than 1/2 Moa) & the use of sighting shots no adjustment for Coriolis has been included in the above values.